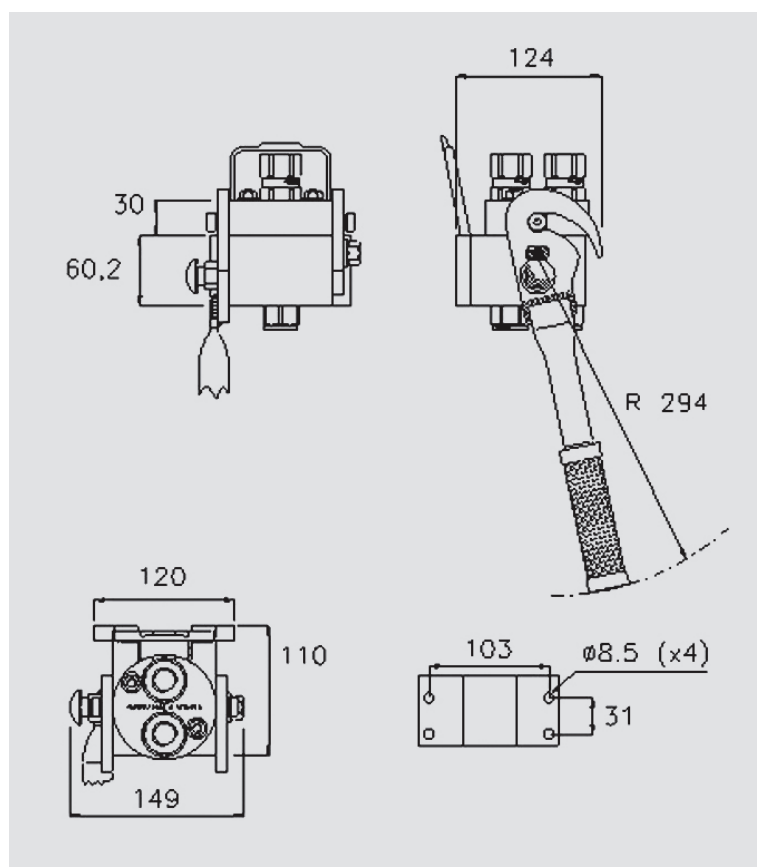


P208



Multifaster, 2 lines, size o8.

Applications



Technical Specifications

dash	Size		Working Pressure (MPa)	Flow Rate (l/min)	Spillage (ml)	Burst pressure (MPa)		
	mm	inch				Male	Female	Male + Female
08	12,5	1/2"	25	70	0,01	100	100	100

Material	Aluminium; Steel	Valve Type	Flat
Seals	NBR; PUR	Connection	Lever
Working temperatures	- 25 °C to 100 °C	Disconnection	Lever
Surface treatment	MATE 500 (CrIII); Paint	Connection Under Pressure	Allowed Residual

P208

Size					Thread Type			Electrical Connector		FIXED
dash	mm	inch	Housing	Number of Couplings	Thread Type	Standard	Thread	N	Type	Part Number
08	12,5	1/2"	2	2	O/ SAE	ISO 11926-1	1-1/16"-12 UN FEMALE ORB			2P208-2-34S F C
08	12,5	1/2"	2	2	F BSPP	ISO 1179-1	BSPP 3/4" FEMALE			2P208-2-34G F C
08	12,5	1/2"	2	2	O2/ METRIC	ISO 8434-1-L	M22x1,5 MALE 15L			2P208-2-2/22F C
08	12,5	1/2"	2	2	O/ SAE	ISO 11926-1	3/4"-16 UNF FEMALE ORB			2P208-2-12S F C
08	12,5	1/2"	2	2	F NPTF	ANSI B1.20.3	NPTF 1/2" FEMALE			2P208-2-12N F C
08	12,5	1/2"	2	2	F BSPP	ISO 1179-1	BSPP 1/2" FEMALE			3P208-2-12G F C
08	12,5	1/2"	2	2	F BSPP	ISO 1179-1	BSPP 1/2" FEMALE			2P208-2-12G F C

Size					Thread Type			Electrical Connector		MOBILE
dash	mm	inch	Housing	Number of Couplings	Thread Type	Standard	Thread	N	Type	Part Number
08	12,5	1/2"	2	2	O/ SAE	ISO 11926-1	1-1/16"-12 UN FEMALE ORB			3P208-2-34S M C
08	12,5	1/2"	2	2	F BSPP	ISO 1179-1	BSPP 1/2" FEMALE			3P208-2-34G M C
08	12,5	1/2"	2	2	O/ SAE	ISO 11926-1	1-1/16"-12 UN FEMALE ORB			2P208-2-34S M C
08	12,5	1/2"	2	2	F BSPP	ISO 1179-1	BSPP 3/4" FEMALE			2P208-2-34G M C
08	12,5	1/2"	2	2	O2/ METRIC	ISO 8434-1-L	M22x1,5 MALE 15L			2P208-2-2/22M C
08	12,5	1/2"	2	2	O/ SAE	ISO 11926-1	3/4"-16 UNF FEMALE ORB			2P208-2-12S M C
08	12,5	1/2"	2	2	F NPTF	ANSI B1.20.3	NPTF 1/2" FEMALE			2P208-2-12N M C
08	12,5	1/2"	2	2	F BSPP	ISO 1179-1	BSPP 1/2" FEMALE			3P208-2-12G M C
08	12,5	1/2"	2	2	F BSPP	ISO 1179-1	BSPP 1/2" FEMALE			2P208-2-12G M C

